

## IMPORTANT SAFETY INSTRUCTION

State that the unit is for household use.



### DANGER



To reduce the risk of electric shock:

1. Always unplug this appliance from the electrical outlet immediately after using and before cleaning.
2. Never use pins or other metallic fasteners with this appliance.
3. Carefully examine the cover before each use. Discard the appliance if the covering shows any sign of deterioration, such as checking, blistering, or cracking.
4. Keep Dry - Do not operate in a wet or moist condition.



### WARNING



To reduce the risk of burns, fire, electric shock, or injury to persons.  
Connect this appliance to a properly grounded outlet only.  
Young children should be supervised to ensure that they do not play with the appliance.

1. An appliance should never be left unattended when plugged in. Unplug from outlet when not in use, and before putting on or taking off parts.
2. Do not operate under blanket or pillow. Excessive heating can occur and cause fire, electric shock, or injury to persons.
3. Close supervision is necessary when this appliance is used by, on, or near children, invalids, or disabled persons.
4. Use this appliance only for its intended use as described in this manual. Do not use attachments not recommended by the manufacturer.
5. Never operate this appliance if it has a damaged cord or plug, if it is not working properly, if it has been dropped or damaged, or dropped into water. Return the appliance to a service center for examination and repair.
6. Do not carry this appliance by supply cord or use cord as a handle.
7. Keep the cord away from heated surfaces.
8. Never drop or insert any object into any opening.
9. Never operate the appliance with the air openings blocked. Keep the air openings free of lint, hair, and the like.
10. Do not use outdoors.
11. Do not operate where aerosol (spray) products are being used or where oxygen is being administered.
12. To disconnect, turn all controls to the off position, then remove plug from outlet.
13. Use heated surfaces carefully. May cause serious burns. Do not use over insensitive skin areas or in the presence of poor circulation. The unattended use of heat by children or incapacitated persons may be dangerous.
14. Temperatures sufficiently high to cause burns may occur regardless of the control setting. Do not use on an infant or invalid or on a sleeping or unconscious person. Do not use on insensitive skin or on a person with poor blood circulation. Check the skin in contact with the heated area of the appliance frequently to reduce the risk of blistering.
15. Do Not Crush - Avoid sharp folds.
16. Connect this appliance to a properly grounded outlet only. See Grounding Instructions.

### WARNING...

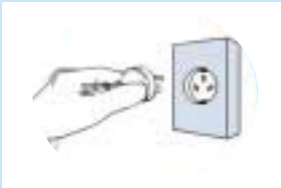
Keep children away from extended foot support.

SAVE THESE INSTRUCTION

## GROUNDING INSTRUCTIONS

This product must be grounded. If it should malfunction or breakdown, grounding provides a path of least resistance for electric current to reduce the risk of electric shock. This product is equipped with a cord having an equipment-grounding conductor and a grounding plug. The plug must be plugged into an appropriate outlet that is properly installed and grounded in accordance with all local codes and ordinances.

**DANGER...** Improper connection of the equipment-grounding conductor can result in a risk of electric shock. Check with a qualified electrician or serviceman if you are in doubt as to whether the product is properly grounded. Do not modify the plug provided with the product - if it will not fit the outlet, have a proper outlet installed by a qualified electrician.



This product is for use on a nominal 220-240-volt circuit and has a grounding plug that looks like the plug illustrated. Make sure that the product is connected to an outlet having the same configuration as the plug. No adapter should be used with this product.

### INFORMATION TO THE USE...

This equipment has been tested and found to comply with the limits for a class B digital device, pursuant to part 15 of the FCC Rules. These limits are designed to provide reasonable protection against harmful interference in a residential installation. This equipment generates, uses and can radiate radio frequency energy and, if not installed and used in accordance with the instructions, may cause harmful interference to radio communications. However, there is no guarantee that interference will not occur in a particular installation. If this equipment does cause harmful interference to radio or television reception, which can be determined by turning the equipment off and on, the user is encouraged to try to correct the interference by one more of the following measures:

- Reorient or relocate the receiving antenna.
- Increase the separation between the equipment and receiver.
- Connect the equipment into an outlet on a circuit different from that to which the receiver is connected.
- Consult the dealer or an experienced radio/TV technician for help.

**WARNING...** Changes or modifications not expressly approved by the manufacturer could void the user's authority to operate the equipment.

Read all instructions before using this massage recliner.

# TABLE OF CONTENTS

## I PRODUCT INTRODUCTION

1. Characteristics of the CGM-M3500 ..... 5
2. Parts Description ..... 6
3. Remote Control Description ..... 8

## II PRODUCT SET UP

1. Confirming the Contents of the Kit ..... 11
2. Before Setting Up ..... 12
3. Product Set Up ..... 13
4. Demo-Operation Upon Set Up ..... 16

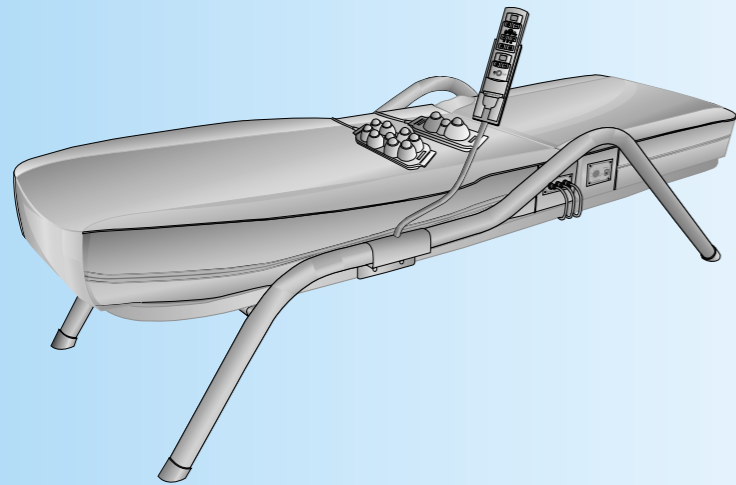
## III HOW TO USE THE PRODUCT

1. How to Use the Remote Control ..... 19
  - Automatic Mode
  - Semi-Automatic Mode
  - External Projector
2. How to Use the Epoxy Carbon Panel ..... 22
3. How to Use the Product ..... 23

## IV PRODUCT MAINTENANCE

1. Safety Tips ..... 27
2. Before Calling for Service ..... 29
3. Product Model Description ..... 30
- Limited Warranty ..... 31

# I . PRODUCT INTRODUCTION



ceragem  
master

CGM-M3500

1. Characteristics of the CGM-M3500
2. Parts Description
3. Remote Control Description

## 1. Characteristics of the CGM-M3500

### 1. Sophisticated Electronics and Beautiful Design

This sophisticated ergonomically designed product will fit beautifully into any interior space while leading you onto the road of a healthy and comfortable life.

### 2. Durable and Luxurious Lining

The product lining is made with the same special materials used for seat upholstery in deluxe automobiles. The material is made by the sponge foaming method and is highly durable over time.

### 3. Convenient Remote Control Cradle

This product comes with a multi-functioning remote control and a convenient remote control cradle. The remote control cradle rotates 360° and allows the user to control the product with maximum ease.

### 4. An Ergonomically Curved Design

The ergonomically designed guiding rail is attached to the horizontal mobile parts of the bed. This enables the internal projector to move along the user's back line and allows the acupuncture effect on the lower and upper back to be enhanced.

### 5. Safe Internal Projector

The new innovative design of the projector, which generates far-infrared rays with rolling jades will give you more comfort than ever before.

### 6. Epoxy Carbon Panel

In addition to the far-infrared rays generated by the rolling jades, the Company has developed the Epoxy Carbon Panel that is built into the main body and the supplementary mat, maximizing the effect of far-infrared rays on the back line and the lower body.

### 7. Convenience of External Projectors

The original 6-ball projector was replaced with a 9-ball projector to increase heating capability. The product is also designed to enable simultaneous use of the 3-ball and the 9-ball projector with a touch of a button on the remote control.

### 8. Multi-Functioning Remote Control

The new remote control now has the ability to control the external projector, making all projectors operable with a single remote control. The newly equipped remote control features sound indicators for additional convenience.

### 9. Improved Supplementary Mat

The Epoxy Carbon Panel generates 4~16  $\mu\text{m}$  of far-infrared rays, the ideal amount for the human body. The panel is not only in the primary product unit, but it is now installed in the supplementary mat as well. With this, you can now benefit from the maximum heating effects for the lower half of your body.

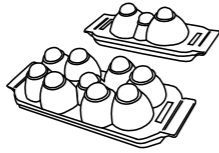
### 10. Quiet Internal Drive

The internal drive utilizes a combined chain and lobe mechanism that minimizes noise and prevents slippage. The drive is strengthened for semi-permanent use.

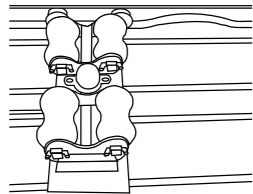
## 2. Parts Description

### 1 The 9-Ball and the 3-Ball projectors

Used for various body areas, including the abdominal cavity and the arms, which the far-infrared rays cannot reach when the users lie on their backs. Use simultaneously with the automatic massage and/or individual application methods with one or two users.



### 5 Internal Projector

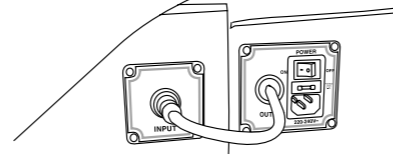


Moves along the natural back line.

### 9 Protective Covers

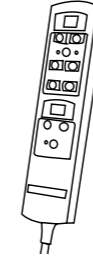
Covers are detachable for laundry.

### 2 Terminal Connector (220-240V~)

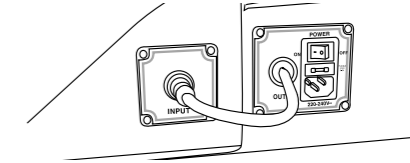


### 3 Remote Control

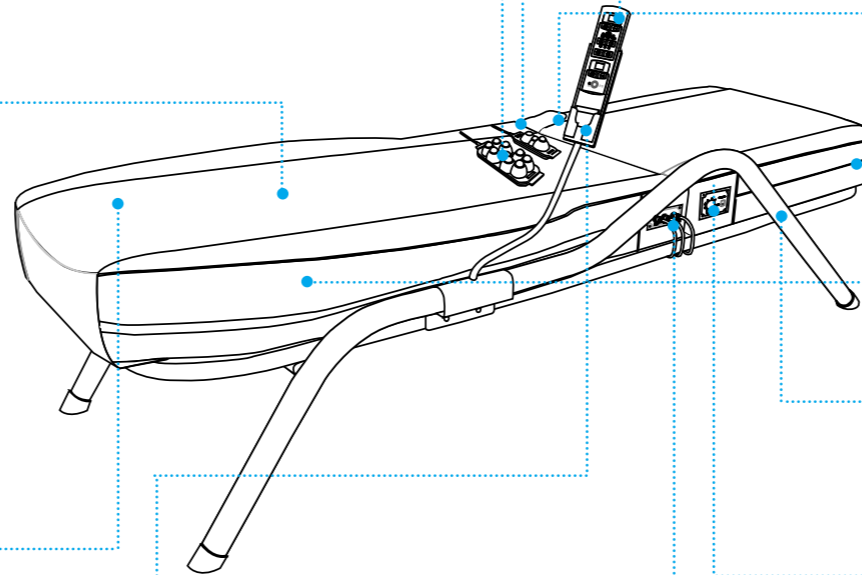
All parts may be remote controlled except for the temperature adjustment of the Epoxy Carbon Panel.



### 4 Supplementary Mat Plug-In



Brings power to the Epoxy Carbon Panel inside the supplementary mat.



### 6 Supplementary Mat

### 7 Main Mat

### 8 Frame

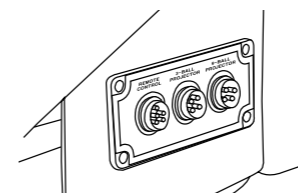
### 10 Remote Control Cradle

It holds the remote control in place for the user's convenience.



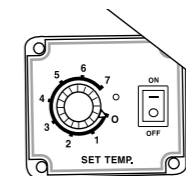
### 11 Projector and Remote Control Connector

It connects the 3-ball and the 9-ball projectors, as well as the remote control.

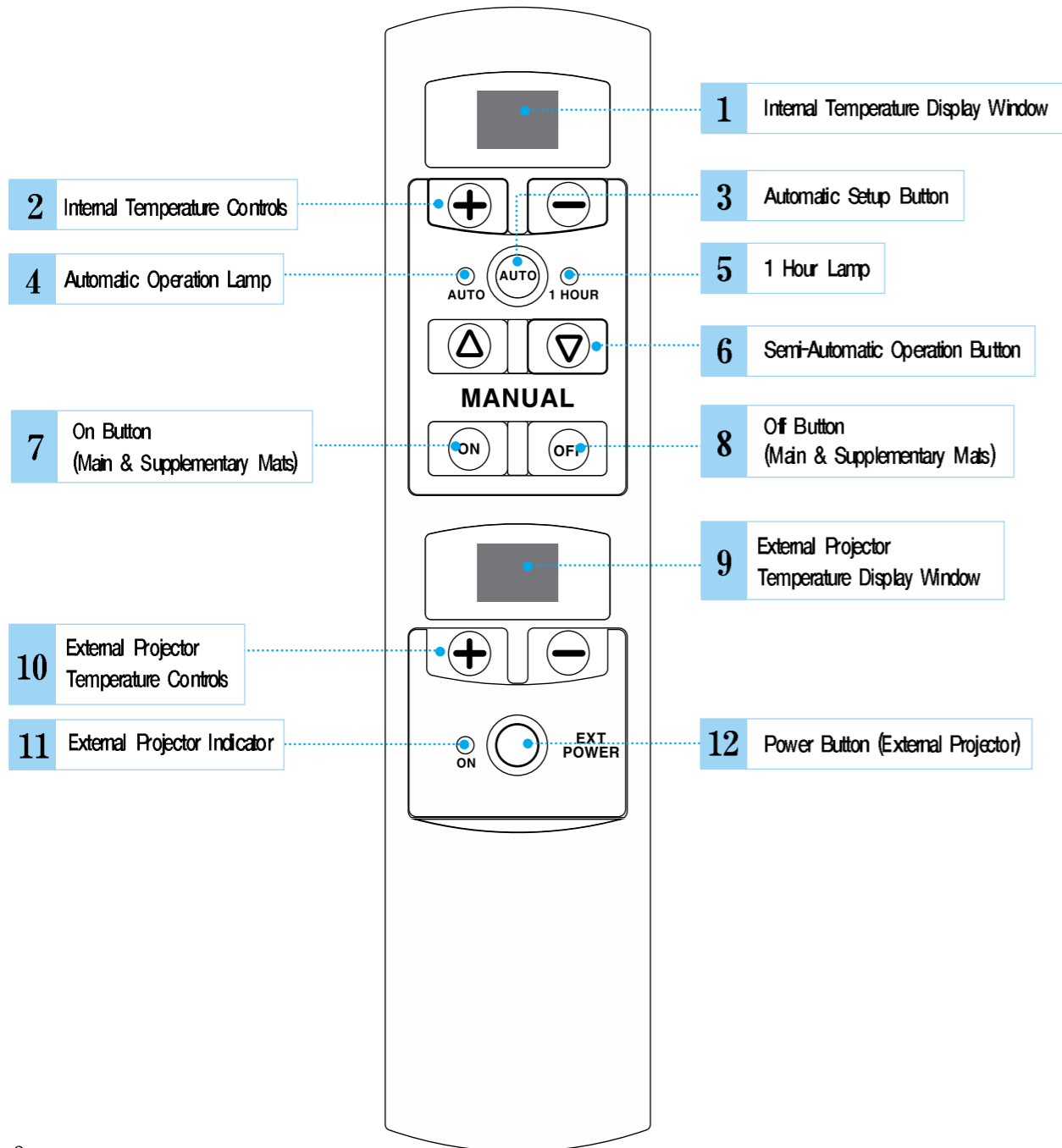


### 12 Temperature Control for the Epoxy Carbon Panel

Controls the temperature of the Epoxy Carbon Panel in the main and supplementary mats.



### 3. Remote Control Description



### ■ Error Codes on the Remote Control

- If any problem should occur with the internal projector and/or any other internal parts, error codes will appear on the internal temperature display of the remote control. (See 1 of remote control)

- If any error should occur with the external projector, error codes will appear on the external temperature display of the remote control. (See 9 of remote control)

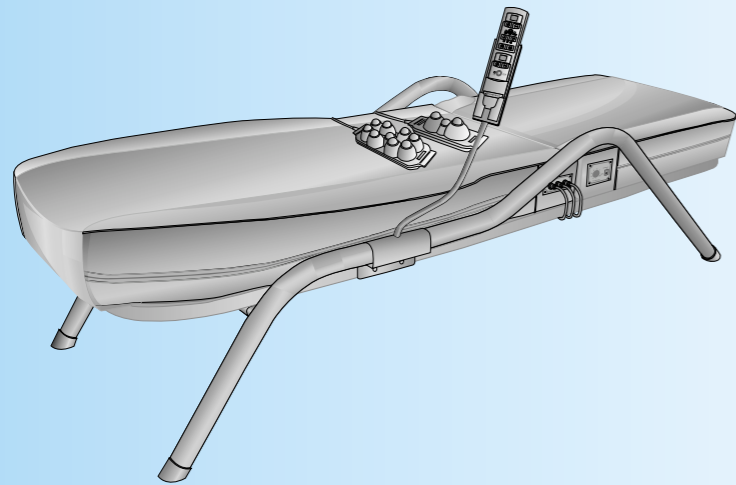
#### 1. Internal Temperature Adjustment Window

INDICATION	EXPLANATION
-L	This occurs when current room temperature is lower than minimum capacity of temperature display on internal projector. →Wait for a moment.
-H	Temperature has gone over its limit. →Turn off the power and call for service.
-t	There is an error in the internal projector. →Turn off the power and call for service.
-d	There is an error in the operation drive. →Turn off the power and call for service.
-C	The system is not responding. →An irrecoverable error has occurred within the mat. Turn the power off, then try to unplug the wire and plug it back in. Turn the power on again. If the same code appears, call for service.

#### 2. External Temperature Adjustment Window

INDICATION	EXPLANATION
-L	This occurs when current room temperature is lower than minimum capacity of temperature display on internal projector. →Wait for a moment.
-H	Temperature has gone over its limit. →Turn off the power and call for service.

## II . PRODUCT SET UP .....



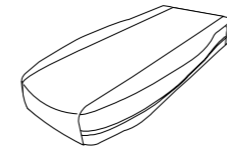
**ceragem  
master**  
**CGM-M3500**

1. Confirming the Contents of the Kit
2. Before Setting Up
3. Product Set Up
4. Demo—Operation Upon Set Up

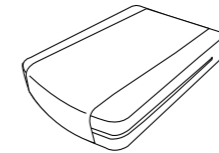
### 1. Confirming the Contents of the Kit

**WAIT!**

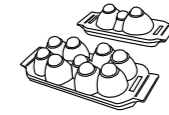
Please check the contents before setting up.



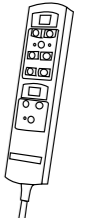
Main Mat



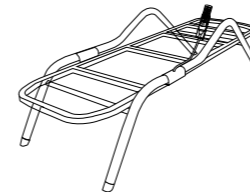
Supplementary Mat



9-Ball and  
3-Ball Projectors



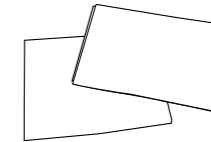
Remote Control



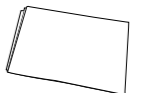
Frame



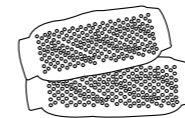
Power Cord  
220-240V~



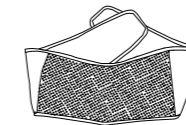
Protective  
Covers



Blanket



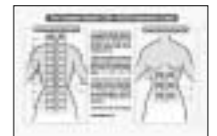
Projector  
Covers (2)



Abdominal Band

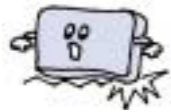


User's Manual



Guide  
Application Point

## 2. Before Setting Up



1) Be sure to set up on a flat even surface.  
Otherwise product may be damaged.



2) Do not set up on a damp or dirty area.  
(It may cause an electrical shock or fire)



3) Do not place inflammable items such as lit candles,  
cigarettes and etc. on or near it. (It may cause a fire)



4) Do not place water glasses, mugs or anything filled  
with liquid near the product.  
(It may cause electric shock, fire or other damage)



5) Be sure to turn off product when not in use.  
(It may cause a fire)

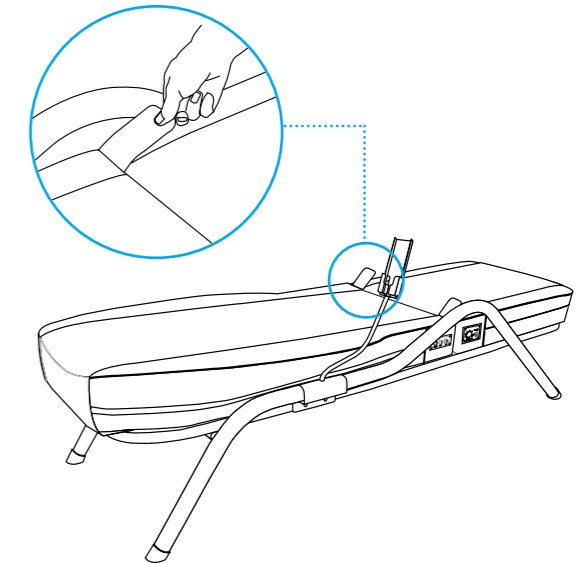


6) Do not place the mat on top of a regular bed.  
(It may decrease the acupressure effect)

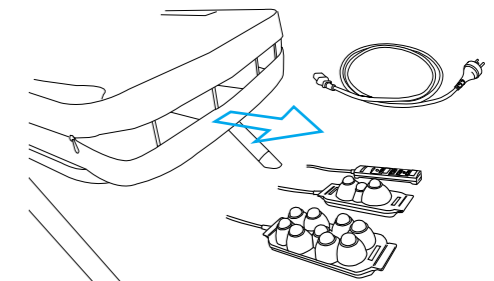
## 3. Product Set Up

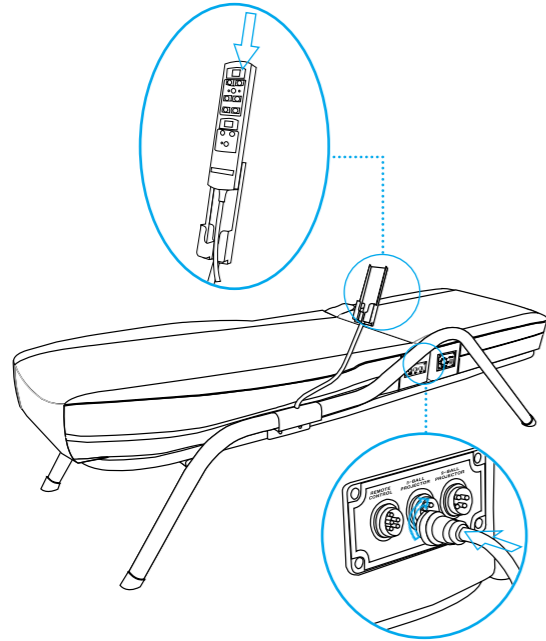
**1** Place the main and the supplementary mat on the frame and connect the two pieces together with the connect-ing band.  
(See assembly instruction in box C)

※Place the product on a flat and even surface.

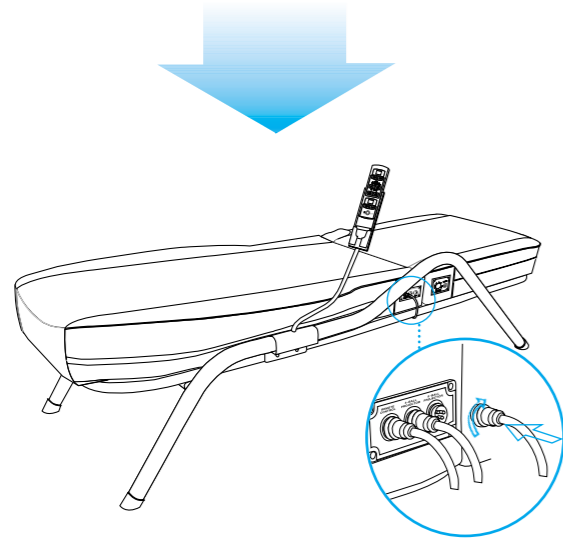


**2** Unzip the storage bin inside the supplementary mat. Take out the plugs, remote control and external projector.



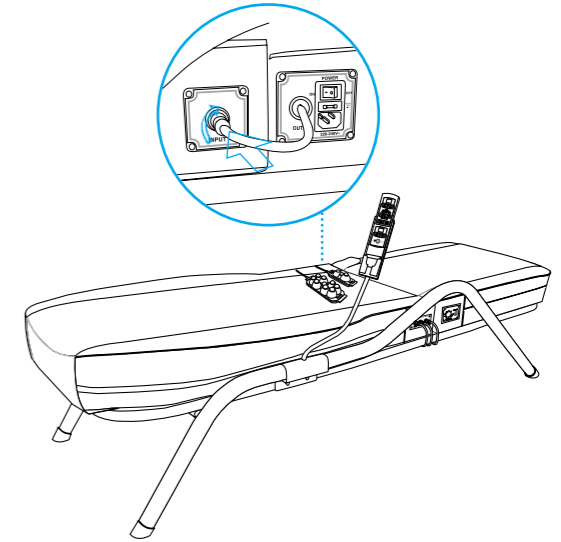


**3** Place the remote control in the cradle and connect it to the remote control plug of the main body. The plug works like a crew. Be sure to check that the plug fits perfectly into the groove before adjusting it.



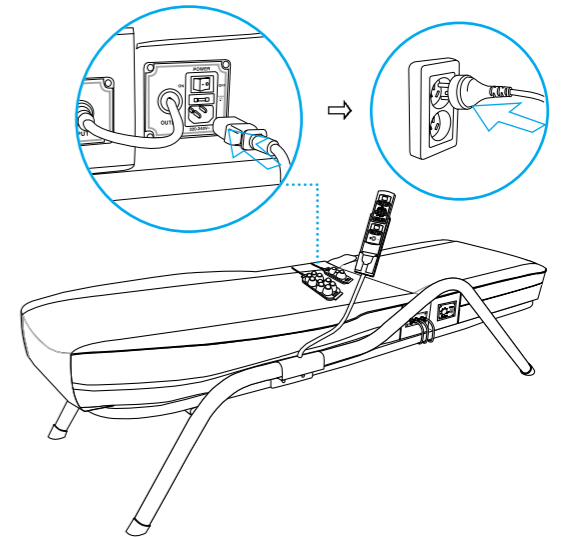
**4** Plug in the 3-ball projector and the 9-ball projector in the same manner as described above.  
 ※ Be sure to check that the plug fits perfectly into the groove before turning it to tighten, or it might cause the unit to malfunction.

**5** Connect the two mats electronically by plugging one end into the main mat and the other into the supplementary mat.



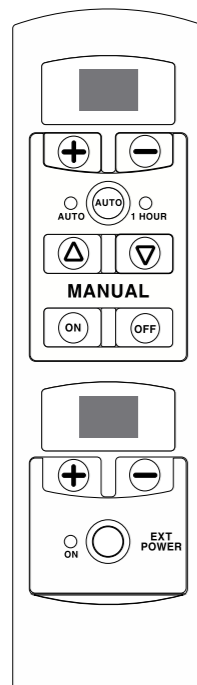
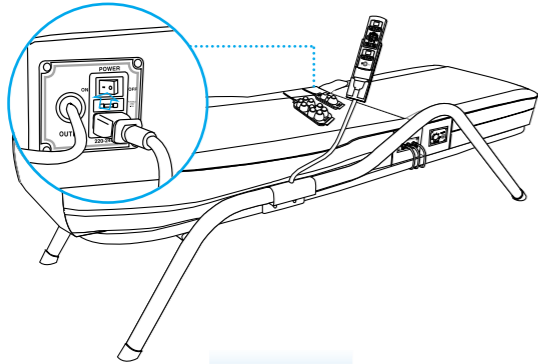
**6** Plug one end of the power cord into the main mat and the other one into the wall. Make sure the outlet in your home is configured as 220-240V~.

※ Do not plug the power cord into the wall first, it may cause the unit to malfunction.





## 4. Demo-Operation Upon Set Up

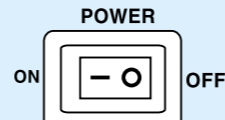


Main &  
Supplementary  
Part

External Part

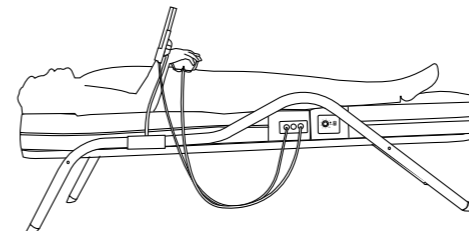
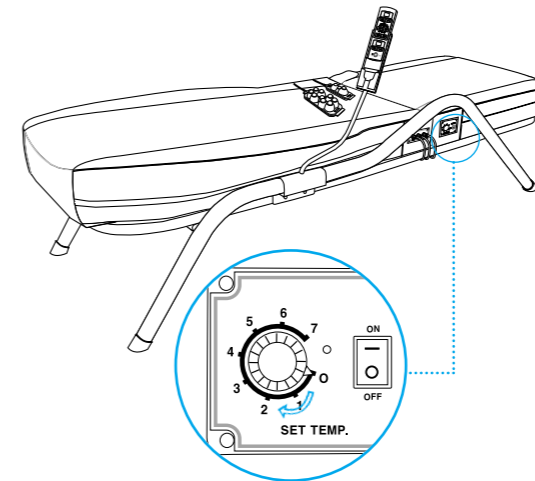
### 1 Turn on the power.

※Do not leave  
it on while not  
in use.



### 2 Turn on the power of the remote control and select appropriate temperature 45-55 °C (113-131 °F recommended).

The temperature of the main(internal) projector can be adjusted using the ⊕ and ⊖ buttons of the main and supplementary part of the remote - control. The temperature of 3-ball and 9-ball projectors can be adjusted using the ⊕ and ⊖ buttons of the external part of the remote control (Refer to chapter III).



### 3

The temperature of the Epoxy Carbon Panel inside the main and supplementary mat may be adjusted with the temperature dial attached to the side of the mat. (3 to 4 recommended)

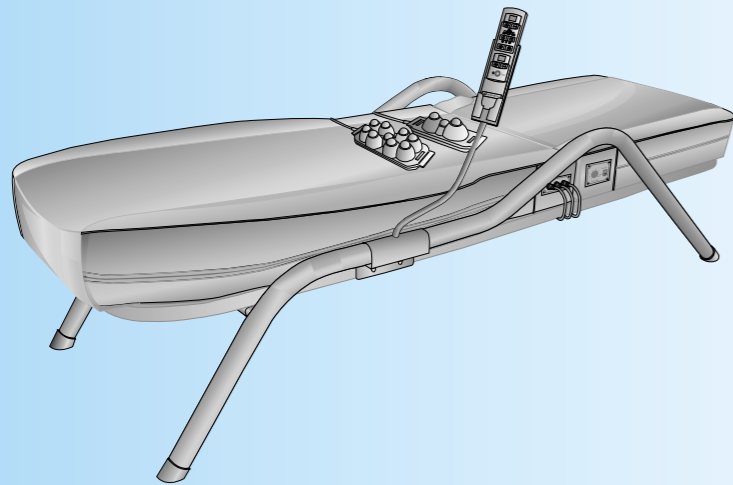
### 4

Place your body on the mat with your legs on the supplementary mat and press the automatic control button. The bed should start heating up shortly. You may also position your body the other way around as well. (Refer to chapter III)

#### ※ Caution : Please note

- 1) You need to connect the remote control to the main body before plugging it into the wall outlet.
- 2) Temperature may vary among users, but 45-55°C(113-131°F) is the highly recommended temperature setting.
- 3) When you are finished, be sure to FIRST turn off the power on the remote control and the external projector (Refer to page 19), and then turn off the main power.

# III. HOW TO USE THE PRODUCT



**ceragem  
master**  
**CGM-M3500**

## 1. How to Use the Remote Control

- Automatic Mode
- Semi-Automatic Mode
- External Projector

## 2. How to Use the Epoxy Carbon Panel

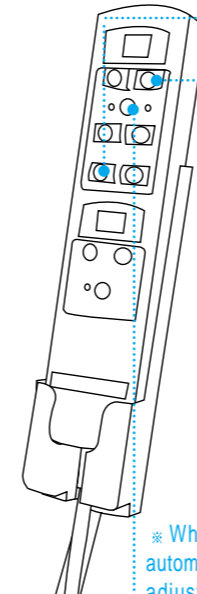
## 3. How to Use the Product

## 1. How to Use the Remote Control

### Automatic Mode

When using the automatic mode, it will operate by itself for 40 minutes using its own built in program.

※ Be sure to check if the remote control is well connected prior to use.

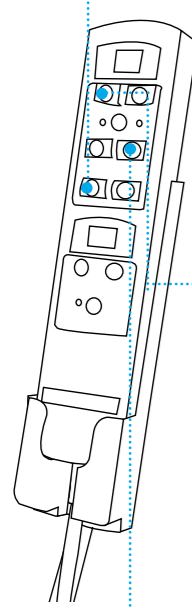


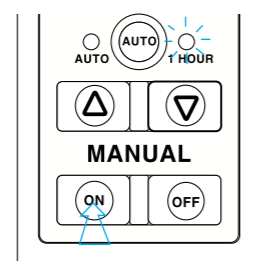
※ While you are in the automatic mode, you may adjust the temperature. However, if you press the semi-automatic button while in the automatic mode, the automatic mode will stop and will change to the semi-automatic mode.

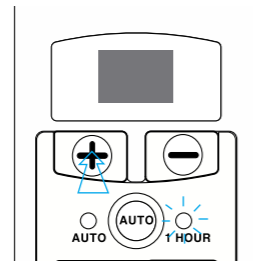
<p><b>1</b></p>	<p>Turn on the power using the remote control. You will see that the 1-HOUR indicator light is now on.</p>
<p><b>2</b></p>	<p>Set up an appropriate temperature 45 to 55°C (113 to 131°F recommended) for your comfort level. (The temperature will start changing when you press the button twice. If you only press once, it will set up its own designated temperature in 2 seconds.)</p> <p>※ You cannot adjust the temperature of the external projector and the Epoxy Carbon Panel with the remote control.</p>
<p><b>3</b></p>	<p>Press the automatic set up button. You will then see that the automatic indicator light is on. It will operate by itself for 40 minutes as programmed.</p>

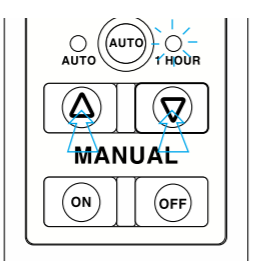
## Semi-Automatic Mode

When you want a particular treatment after automatic mode.



- 

Turn on the power using the remote control. You will see that the 1-hour indicator light is now on.
- 

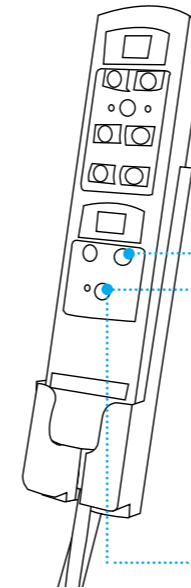
Set up an appropriate temperature 45-55°C (113-131°F recommended) for your comfort level. (You cannot adjust the temperature of the external projector and the Epoxy Carbon Panel with the remote control.)
- 

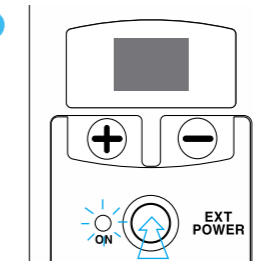
Press the semi-automatic control buttons in order to apply therapy to specific parts of your body. When you are finished, press OFF to turn off the power.

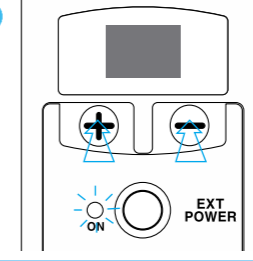
## External Projector

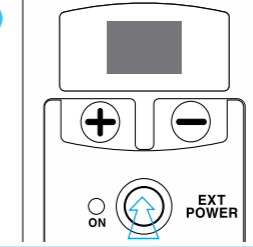
**Caution** If you apply the external projector directly onto the surface of your skin, you may get burned. Please be sure to cover the projector with the projector cover.

※ Be sure to check if the projector is well connected prior to use.



- 

Please turn the power on with the external part. You will see that the indicator light is now on.
- 

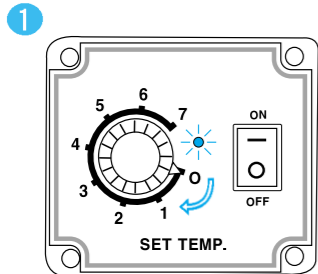
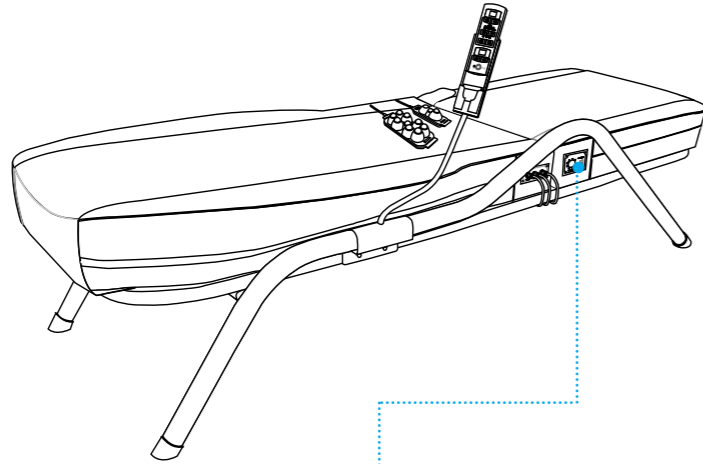
Set up an appropriate temperature 45-55°C (113-131°F recommended) for your comfort level. (You cannot adjust the temperature of the internal projector and the Epoxy Carbon Panel with the remote control.)
- 

When you are finished, press POWER to turn off the power.

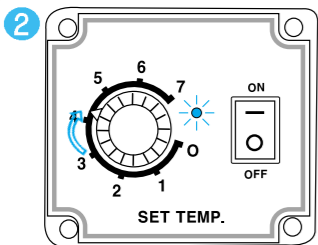
※ You may turn the 9-ball and 3-ball projectors on and off using the POWER button as indicated on the following chart.

Power	3-Sphere Projector	9-Sphere Projector	Epoxy Carbon Panel
Press once	On	On	On
Press twice	Off	Off	Off

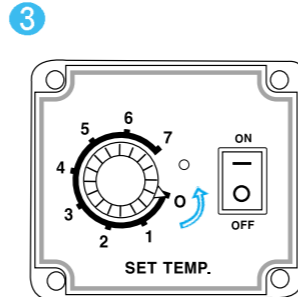
## 2. How to Use the Epoxy Carbon Panel



1 For the Epoxy Carbon Panel, there is a separate temperature control on the side of the supplementary mat. While the main power is on, turn on the power button of the Epoxy Carbon Panel. Then turn on the power of the remote control. You will see that the indicator light is now on.



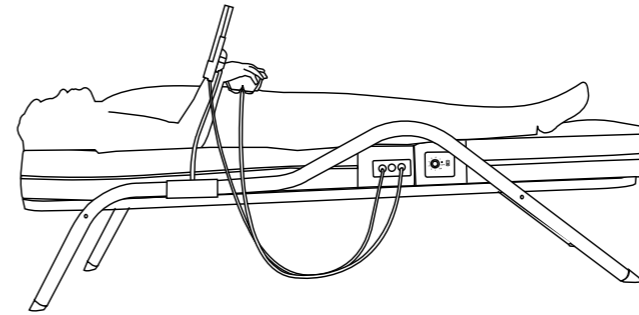
2 Choose an appropriate temperature. (3 to 4 is recommended)



3 The Epoxy Carbon Panel is built-in inside both the main and supplementary mat. You can control the temperature of both of them at the same time. When you are finished, turn off the power .

※ The temperature control may be used after the main power is turned on.

## 3. How to Use the Product

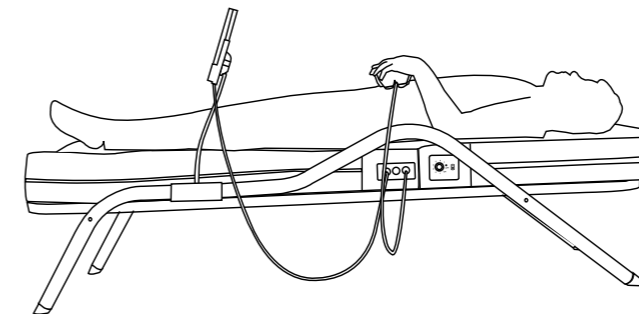


### 1. Standard Mode

1. Massages upper body.
2. Warms up upper body with far-infrared rays.
3. Warms up upper body using the Epoxy Carbon Panel.
4. Warms up lower body using the Epoxy Carbon Panel.
5. Warms up abdominal area with far-infrared rays and massages.

### How to Use Standard Mode

1. Lie down with your back placed on the mat, with your head on top of the main mat, and your legs on the supplementary mat.
2. When using the automatic mode, you may use the 3-ball or 9-ball projector to massage the abdominal area and arms.
3. You may repeat the automatic program or you may switch to the semi-automatic mode and apply it to specific parts of your body.

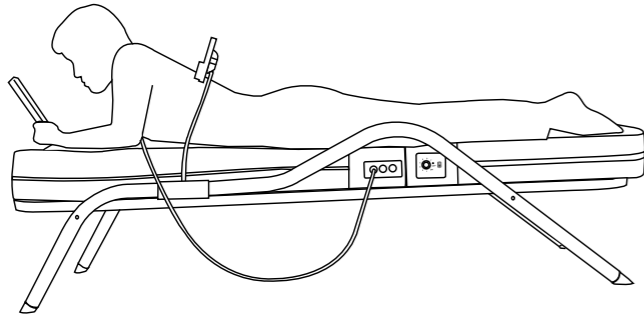


### 2. Applied Standard Mode

1. Massages lower body.
2. Warms up lower body with far-infrared rays.
3. Warms up lower body using the Epoxy Carbon Panel.
4. Warms up upper body using the Epoxy Carbon Panel.
5. Warms up abdominal area with far-infrared rays and massages.

### How to Use the Applied Standard Mode

1. Lie down with your back placed on the mat with your head on the supplementary mat and your legs on the main mat.
2. Follow the directions as stated for the standard mode procedure. Direction is the same as the standard mode. You may use the 3-ball projector or the 9-ball projector to massage abdominal area and arms.



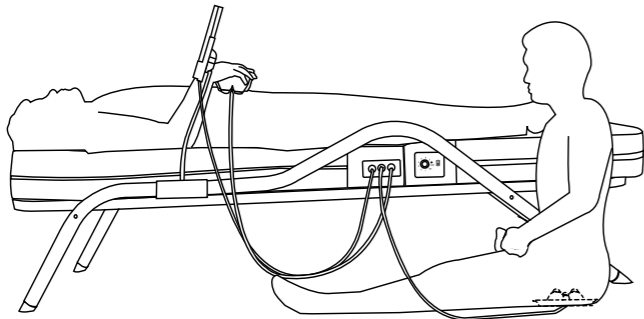
### 3. Abdominal Mode

1. Massages abdominal area.
2. Warms up abdominal with far-infrared rays.
3. Warms up abdominal using the Epoxy Carbon Panel.
4. Warms up lower body using the Epoxy Carbon Panel

#### How to Use Abdominal Mode

1. Lie your body down with your chest on the mat, with your head on top of the main mat, and your legs on the supplementary mat.
2. Use the semi-automatic mode when massaging the abdominal area.

**Caution** Do not use the abdominal massage on your chest. Always use the semi-automatic mode when massaging the abdominal area.

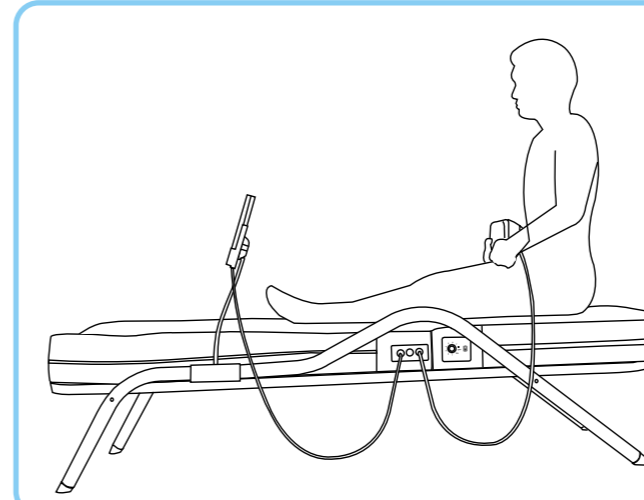


### 4. Two-Persons Mode

※ Two persons may use the unit simultaneously. One person can use the standard mode while the other person massages either the upper or lower part of the body.

#### How to Use Two-Persons Mode

1. One person uses the standard mode.
2. The other person sits on the 3-ball projector.
3. While sitting, the other person can also use the 9-ball projector (if the 9-ball projector is not being used by the first person).



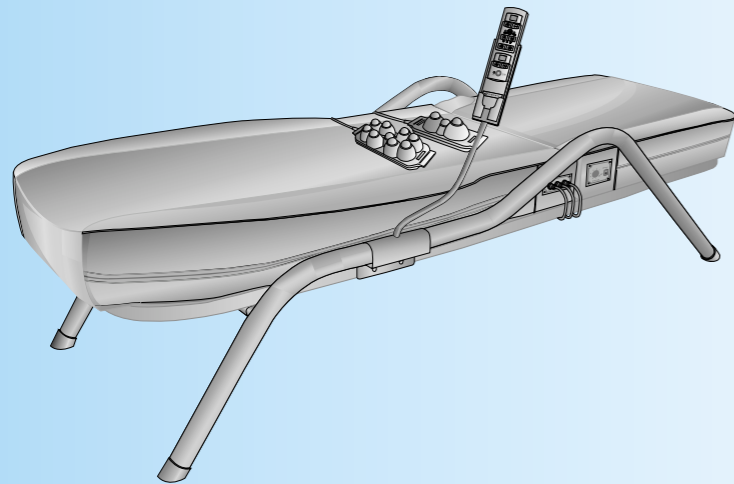
### 5. Sitting Mode

1. Warms up lower body with the Epoxy Carbon Panel.
2. Warms up the upper and lower body with far-infrared rays or massages the upper and lower body.

#### How to Use the Sitting Mode

1. While the main part is stopped, you can set up the desired temperature on the Epoxy Carbon Panel temperature control.
2. Sit on the supplementary mat with your legs on the main mat.
3. Use the same directions for the standard mode and apply the 9-ball projector onto your abdominal area or arms.

# VI. PRODUCT MAINTENANCE



ceragem  
master

CGM-M3500

1. Safety Tips
2. Before Calling for Service  
/ Troubleshooting
3. Product Model Description  
– Limited Warranty

## 1. Safety Tips

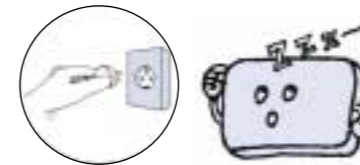


1) Be sure to unplug the electrical cord from the wall outlet after use and when not in use.



**Danger**

2) Do not disassemble the product to renovate or to fix. When you need to have it repaired, please call for service.

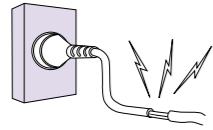


3) If you hear any noise from within the product or experience any sign of unusual behavior, turn off power immediately and call for service.



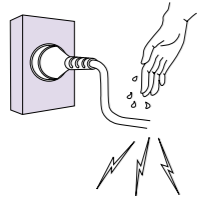
**Danger**

4) Do not bend or mistreat the power cord. It may cause electrical shock or fire.



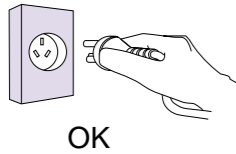
**Danger**

5) Do not use an old wall outlet or damaged plug.



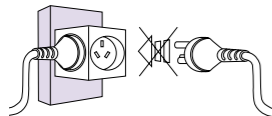
**Danger**

6) Do not pull the plug or handle the plug with wet hands. (It may cause electrical shock or fire)



**Danger**

7) Be sure to plug into an appropriate wall outlet. (It may cause electrical shock)



**Danger**

8) Do not plug with any other electronic devices or appliances. (It may cause fire)



**Danger**

9) In case of lightening striking or when not in use, unplug the unit for safety. (It may cause electrical shock or fire)

10) Do not use this product and unplug in the case of it falling into water.

11) Do not use this product when you bath or shower.

12) Be careful not to keep this product in the sink or bathtub.

13) The appliance has a hot surface. Persons insentive to heat must careful when using the appliance.

14) This appliance must be positioned so that the plug is accessible.

## 2. Before Calling for Service



I don't see any light on the remote control.

Check	Solution
Did you check the plug? Is the remote control properly connected? Is the fuse disconnected?	Try re-plugging. Try connecting the remote control again. Try replacing the fuse.



I don't see any light on the projector.

Check	Solution
The light doesn't come on the lamp? Check the connection.	If problem continues, do not disassemble but call for service.



The projector does not move.

Check	Solution
The internal projector is not working? Check the button and connection.	If problem continues, do not disassemble but call for service.



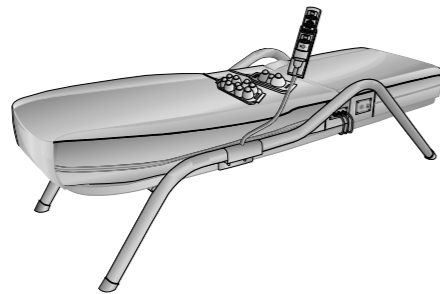
The remote control does not work.

Check	Solution
The remote control doesn't work.	Disconnect the remote control and try connecting again. Then press power. If problem continues, do not disassemble but call for service.

### 3. Product Model Description

Model No.	CGM-M3500
Product Description	Massage Bed
Voltage	220-240V~, 50Hz
Electrical Consumption	250-300W(max.)
Adjustable Jade Ball Temperature	30~60 °C(86 to 140°F)
Dimension of the Product	1210mm × 630mm × 150mm (main mat) 770mm × 540mm × 120mm (supplementary mat) 1260mm × 590mm × 145mm (frame)
Weight (including box)	28kg(main mat) 10kg(supplementary mat) 23kg(frame)

※ As part of an evolving and continuous process to constantly improve the product, its design and/or description may be modified without providing pre-notification.



### Ceragem CGM-M3500 Personal Massager LIMITED PRODUCT WARRANTY STATEMENT LIMITED WARRANTY

- ▶ The Ceragem Co., Ltd. provides the assurance of the product according to applicable consumer protection law(s).
- ▶ The product you have purchased from an authorized Ceragem Retail Distributor is free from defects in materials or workmanship under normal use during the warranty period. This limited warranty is valid only in the purchasing country.
- ▶ If any problem should occur, please try to resolve the problem first by contacting the place from which you purchased the product or from any other nearby authorized Ceragem Retail Distributor. If you are unable to obtain appropriate service, please call the company directly. For contact information, please consult a Ceragem store.
- ▶ The parts of the specified product are available for a period of 3 years from the date of discontinuation of the aforementioned product. Major parts of the specified product, such as the motor, kinds of PCB or the conductor-transfer bracket(internal projector), are available for a period of up to but not more than 5 years from the date of discontinuation.

Product Name	Ceragem Master Personal Massager	Customer Name	
Model No.	CGM-M3500	Address Line 1	
Serial No.		Address Line 2	
Warranty Period	2 years from date of purchase	City, State	
Date of Purchase		Zip Code	
Place of Purchase		Phone No.	

Be sure to have the manager at the place of purchase fill out the chart above to confirm future warranty service.

#### SERVICE WITHOUT ADDITIONAL CHARGE

You are entitled to service without charge only, in terms of parts and labor, if the product is less than 2 years old from the date of purchase, and if the product has not been damaged or broken despite its use under normal circumstances. The duration of warranty service without charge may be reduced to 1 year, at Ceragem's option, if the product has either been used on a more than frequent basis and/or the product has been used for purposes in any way, shape or form.

#### SERVICE WITH ADDITIONAL CHARGE

In order to expedite service and continued customer satisfaction, please check to see if any of the following problems may be solved prior to requesting service. Otherwise, there may be additional charges for service of the following. The product itself may not be out of order, so please check to see if:

- The product is not plugged into a a.c.220-240Volt wall outlet.
- The product's connections have been improperly connected.
- The purchaser set up or installed the product improperly.
- The product was used incorrectly.

#### LIMITATIONS

The purchaser may be responsible for damage of the product, at Ceragem's evaluation, if:

- An unauthorized or non-affiliated person attempted to fix or modify the product.
- The purchaser attempted to disassemble or remodel the parts of the product.
- Damage occurred from the misuse, abuse or neglect of the product or parts of the product.
- Damage resulted from any natural calamities or an act of God.
- Unattached parts, such as the panels, projector cover or abdominal belt, have been worn out by normal and routine wear.

#### TERMS OF THE WARRANTY

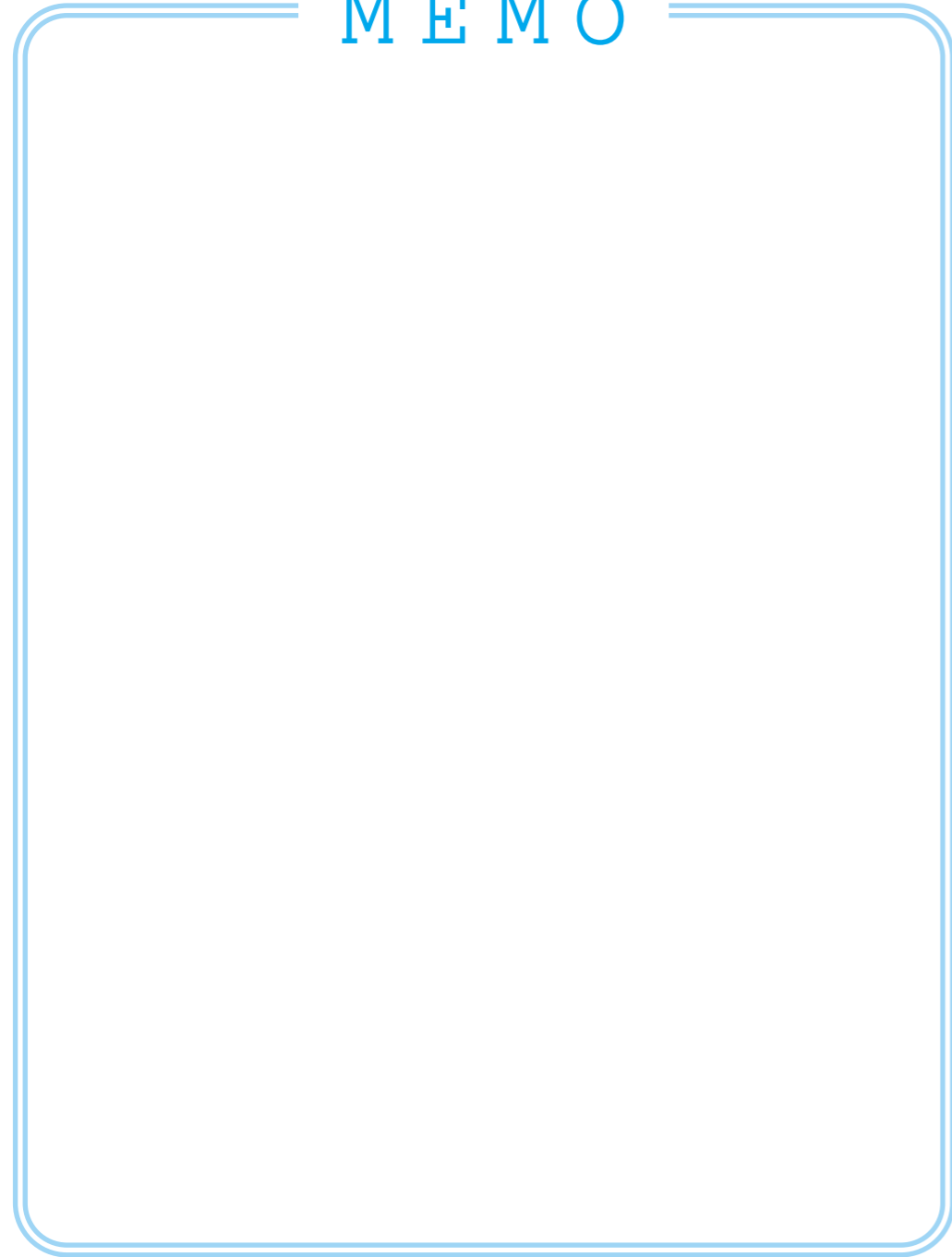
This warranty commences from the date of purchase stated on the sales receipt and/or sales contract. This warranty extends only to the original purchaser, and is not transferable to anyone who subsequently purchases the product from the original purchaser. Except as expressly set forth in the warranty, Ceragem makes no other warranties, neither the personnel of the seller nor any other person is authorized to make any additional warranty than that described above, or to extend the duration of any warranty beyond the time period as stated above.

#### CERAGEM CO., LTD.

177-14, Osaekdang-ri, Seongger-eup, Cheonan-si, Chungcheongnam-do, KOREA  
Tel : 82-41-523-2550 Fax: 82-41-523-2560



# MEMO



**CERAGEM**



CGM-M3500



세라젬  
미디칼



사용설명서

# USER'S MANUAL

Be sure to read this manual before using the CGM-M3500



ceragem  
master



CGM-M3500



**CERAGEM**